

# CARL ERIC JOHNSON, INC.

ENGINEERED PROCESS  
EQUIPMENT & SOLUTIONS

Since 1938



## CUSTOM ENGINEERED SYSTEMS

PUMPING • METERING • HEATING • COOLING • FILTRATION • MIXING

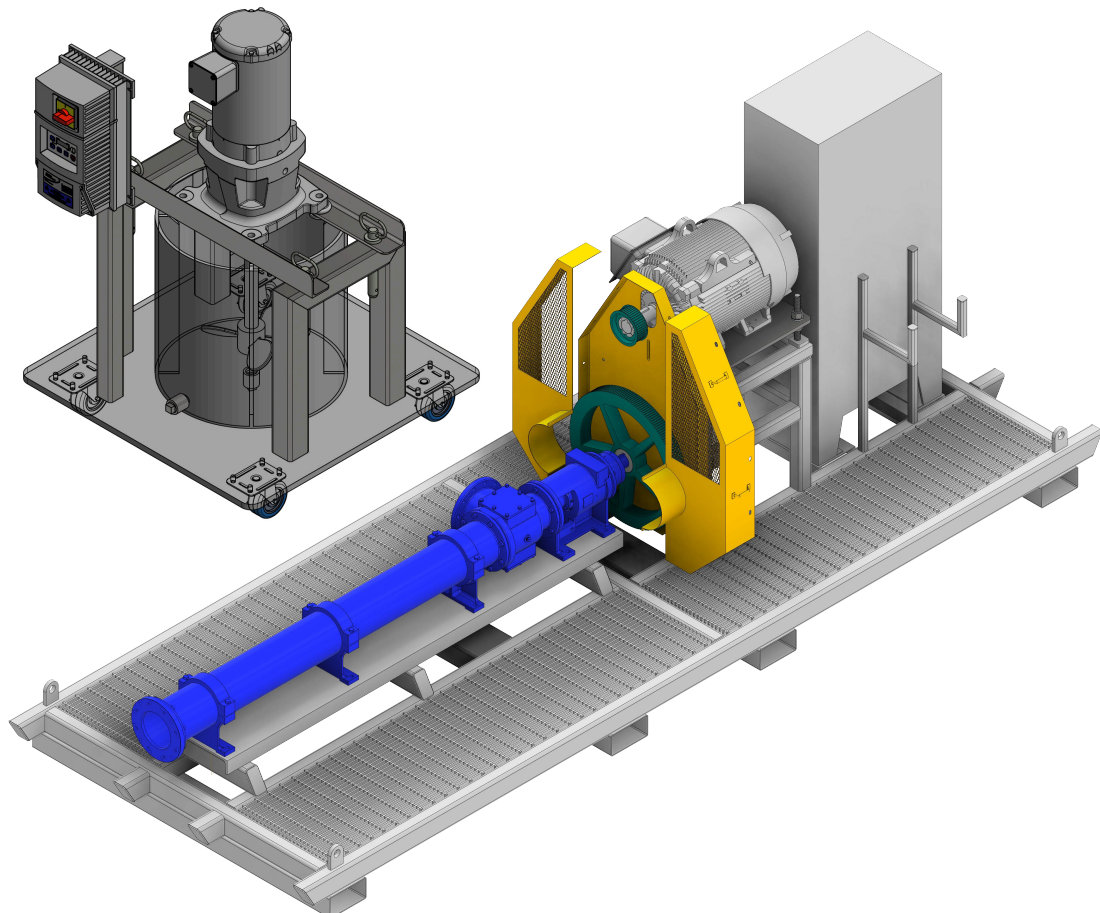
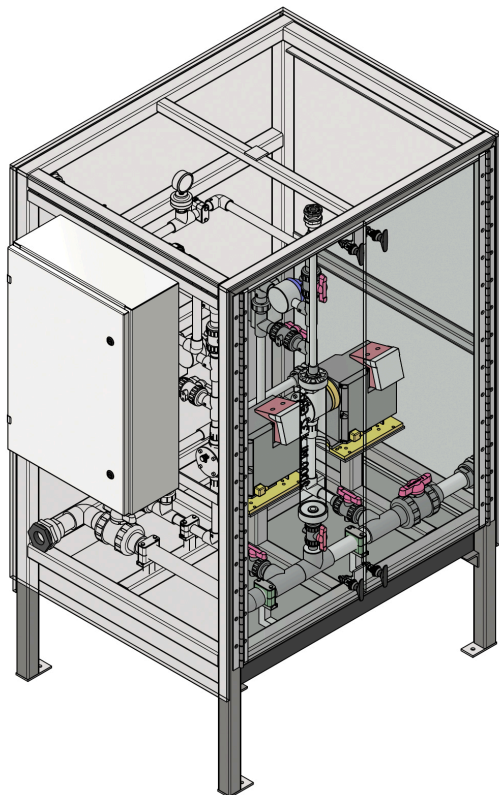


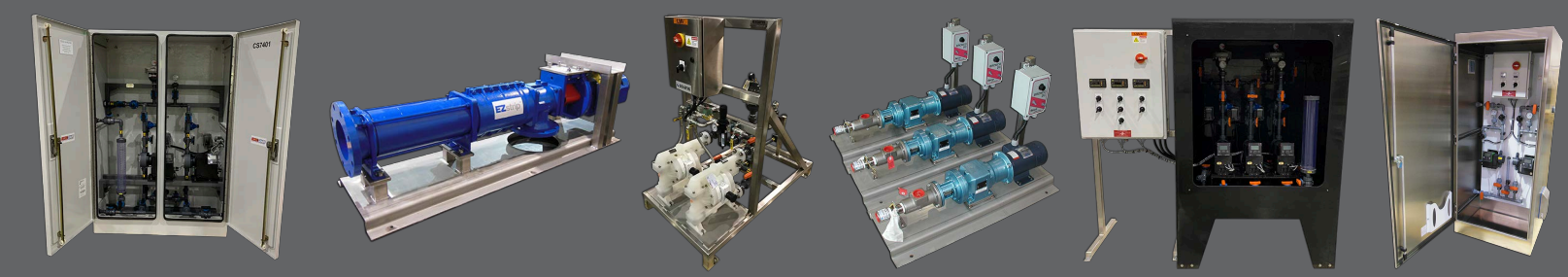
- Pump and Drive Packages
- Chemical Feed Packages
- Make-down Packages
- Pressure Boosting Packages
- Circulation Packages
- Heat Transfer Packages
- Filtration Packages
- Tank & Mixer Packages
- CIP Systems
- Controls & Automation
- Logic / System Integration
- Field Service / Startup Assistance
- Turnkey Site Installation
- Equipment Refurbishment & Repair

**CEJCO Services Division** was established over 35 years ago as a division of **Carl Eric Johnson, Inc.** and specializes in the Design, Engineering, & Fabrication of Fluid Handling and Heat Transfer Systems.

**CEJCO Services Division** provides custom engineered systems and solutions while focusing on customer satisfaction and using quality products to establish a vast installation base from chemical manufacturers and paper mills, to ship builders and pharmaceutical companies.

Always growing and evolving **CEJCO Services Division** is located outside of Atlanta, Georgia in a 45,000 sqft fabrication facility and has a diverse staff with over 100 Years of Engineering and Fabrication Experience along with ASME and AWS Certified Welders in House.





Every custom system we fabricate comes with a complete Submittal Drawing Package with AutoDesk Inventor 3D Models and 2D AutoDesk or 3D ePlan Electrical Plans.

Our Submittal Data Packages include a PDF datasheet sheet for all components down to pipe fittings and clamps. The PDFs have active table of contents and are searchable.

Upon completion of fabrication and a string test with witness, CEJCO takes pictures of the completed system, records all serial tags on pumps and major equipment, and provide those along with any and all notes recording during the testing process to the appropriate person/s.

